

Engineering Specification

Job Name _____

Contractor _____

Job Location _____

Approval _____

Engineer _____

Contractor's P.O. No. _____

Approval _____

Representative _____

BWC-100 Waterline Shower Channel with Membrane Clamp

Specification

BLÜCHER BWC-100 AISI Type 304 stainless steel 2 1/8" wide x (specify) long Waterline Shower Channel with reversible cast stainless steel collar with O-ring seals, weepholes, and 2" no hub epoxy coated cast iron (standard), PVC, or ABS body.




Call customer service if you need assistance with technical details.

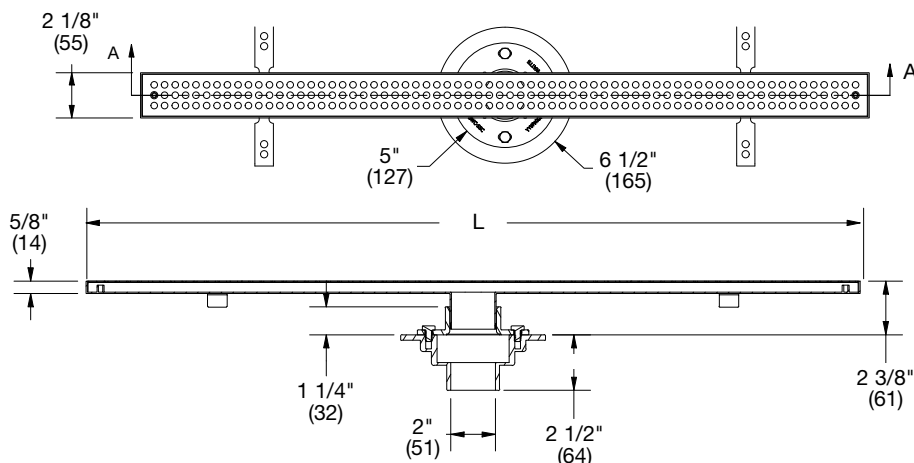
Dimensional Chart

Model	Pipe Size D	Top Size W x L
BWC-130	2"(50) No Hub	2-1/8" x 28-13/16" (55 x 732)
BWC-136	2"(50) No Hub	2-1/8" x 34-13/16" (55 x 884)
BWC-142	2"(50) No Hub	2-1/8" x 40-13/16" (55 x 1036)
BWC-148	2"(50) No Hub	2-1/8" x 46-13/16" (55 x 1189)
BWC-160	2"(50) No Hub	2-1/8" x 58-13/16" (55 x 1494)
BWC-172	2"(50) No Hub	2-1/8" x 70-13/16" (55 x 1798)

Options			
-60	2"(50)	PVC Socket	<input type="checkbox"/>
-61	2"(50)	ABS Socket	<input type="checkbox"/>
-THD	2"(50)	Threaded	<input type="checkbox"/>
-EO	End Outlet		<input type="checkbox"/>



Optional Gratings			
	Suffix	Description	
	-None	Vienna (Standard)	<input type="checkbox"/>
	-C	Copenhagen	<input type="checkbox"/>
	-Q	Special (Specify - 100pc Minimum)	<input type="checkbox"/>



NOTICE

The information contained herein is not intended to replace the full product installation and safety information available or the experience of a trained product installer. You are required to thoroughly read all installation instructions and product safety information before beginning the installation of this product.

Watts product specifications in U.S. customary units and metric are approximate and are provided for reference only. For precise measurements, please contact Watts Technical Service. Watts reserves the right to change or modify product design, construction, specifications, or materials without prior notice and without incurring any obligation to make such changes and modifications on Watts products previously or subsequently sold.

