

Engineering Specification

Job Name _____

Contractor _____

Job Location _____

Approval _____

Engineer _____

Contractor's P.O. No. _____

Approval _____

Representative _____

BCO-220

Floor Cleanout with Surface Membrane Clamp, (For Rubberized Sheet Flooring)

Specification

BLÜCHER BCO-220 AISI Type 316 stainless steel floor cleanout with gasket seal round top with surface membrane for vacuum handle cover removal, and spigot connection.



BCO-220



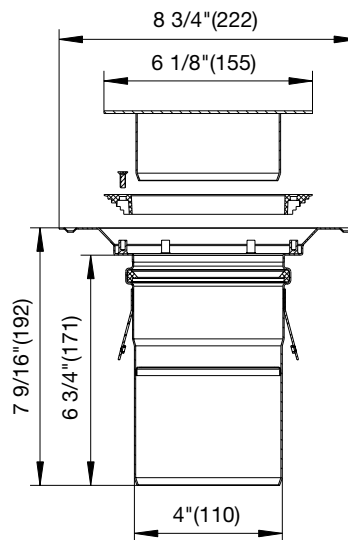
BFD-VH6

Call customer service if you need assistance with technical details.

Dimensions

Model No.	Global Part Part #
BCO-224-316	244.155.110 S

Options	
Suffix	Description
-VH6	Large Vacuum Handle



NOTICE

The information contained herein is not intended to replace the full product installation and safety information available or the experience of a trained product installer. You are required to thoroughly read all installation instructions and product safety information before beginning the installation of this product.

Approvals



Compliance with NSF/ANSI/3-A 14159-1-Hygiene Requirements for the Design of Meat and Poultry Processing Equipment



* Product is certified to the uniform plumbing code ASME A112.6.3

BLÜCHER product specifications in U.S. customary units and metric are approximate and are provided for reference only. For precise measurements, please contact BLÜCHER Technical Service. BLÜCHER reserves the right to change or modify product design, construction, specifications, or materials without prior notice and without incurring any obligation to make such changes and modifications on BLÜCHER products previously or subsequently sold.



A WATTS Brand

USA: T: (800) 338-2581 • BLUCHERpipe.com
 Canada: T: (888) 208-8927 • BLUCHERpipe.ca
 Latin America: T: (52) 55-4122-0138 • BLUCHERpipe.com