

Engineering Specification

Job Name _____
 Job Location _____
 Engineer _____
 Approval _____

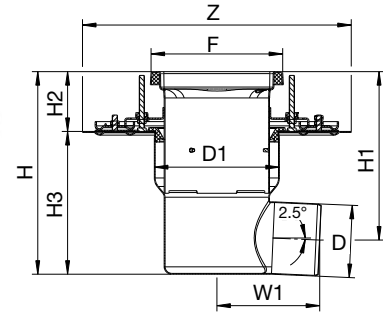
Contractor _____
 Approval _____
 Contractor's P.O. No. _____
 Representative _____

BFD-110-SO

Adjustable Floor Drain with 8" x 8" Square Top, Membrane Clamp & Side Outlet

Specification

BLÜCHER BFD-110-SO AISI Type 304 stainless steel adjustable floor drain with 8" x 8" square top, membrane clamping flange 1/8" grating (standard), and side outlet.



Call customer service if you need assistance with technical details.

Dimensions

Model No.	Global Part #	Pipe Size D	D1	Top Size F	Z	H Adjustable	H1 Adjustable	H2 Adjustable	H3	W1
BFD-113-SO	BFD-113-SO	3"(75)	7-1/2"(190)	8" x 8" (200x200)	16-1/8"(409)	12 1/8"(308) 14 1/2"(368)	10 13/16"(275) 13 3/16"(335)	3-5/8"(91)- 6"(151)	8 9/16"(217)	9 15/16"(253)
BFD-114-SO	BFD-114-SO	4"(110)	7-1/2"(190)	8" x 8" (200x200)	16-1/8"(409)	12 1/8"(308) 14 1/2"(368)	10 1/16"(256) 12 7/16"(316)	3-5/8"(91)- 6"(151)	8-9/16"(217)	6 3/16"(156)

Options		
Suffix	Description	Select
-150	1/2 Grate (Standard Grating)	
-175	3/4 Grate (Standard Grating)	
-316	Type 316 Stainless Steel	
-B	Sediment Basket	
-R	8" Round Top	
-SB	Sand Bucket	
-TPT	Trap Primer Tapping	
-VP	Grate Secured w/Vandal Proof Screws	

Optional Gratings			
	Suffix	Description	Select
	-None	1/8" (Standard)	
	-HG	Hygienic-Pro	
	-LG	Ladder	
	-MG	Mesh	
	-SG	Slot	

Please see ES-B-Commercial/Industrial Square Gratings for more information.

NOTICE

The information contained herein is not intended to replace the full product installation and safety information available or the experience of a trained product installer. You are required to thoroughly read all installation instructions and product safety information before beginning the installation of this product.

Approvals



Compliance with NSF/ANSI/3-A 14159-1-Hygiene Requirements for the Design of Meat and Poultry Processing Equipment



Product is certified to the uniform plumbing code ASME A112.6.3

BLÜCHER product specifications in U.S. customary units and metric are approximate and are provided for reference only. For precise measurements, please contact BLÜCHER Technical Service. BLÜCHER reserves the right to change or modify product design, construction, specifications, or materials without prior notice and without incurring any obligation to make such changes and modifications on BLÜCHER products previously or subsequently sold.



A WATTS Brand

USA: T: (800) 338-2581 • BLUCHERpipe.com
Canada: T: (888) 208-8927 • BLUCHERpipe.ca
Latin America: T: (52) 55-4122-0138 • BLUCHERpipe.com