

Engineering Specification

Job Name _____

Contractor _____

Job Location _____

Approval _____

Engineer _____

Contractor's P.O. No. _____

Approval _____

Representative _____

BCO-140

Floor Cleanout with Round Top & Pull Nipple

Specification

BLÜCHER BCO-140 AISI Type 316 stainless steel floor cleanout with gasket seal round top, pull nipple for cover removal and spigot connection.

Call customer service if you need assistance with technical details.



BCO-140

Dimensions

Model No.	Global Part Part #	Pipe Size		
		D	H	H1
BCO-143-316	199-13488-04 S	3"(75)	6"(156)	2 1/2"(63)
*BCO-144-316	199-13488-01 S	4"(110)	7 1/8"(181)	-

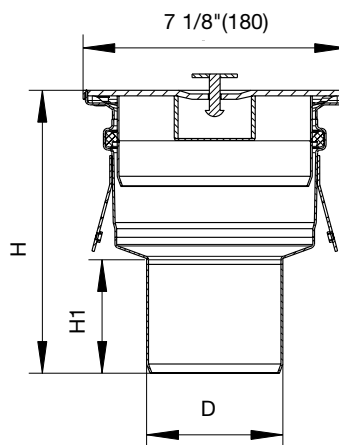
Load Rating
-MD

NOTICE

The load classifications are in accordance with the American National Standards ASME A112.6.3 ASME Ratings are as follows: MD - Safe Live Load 2000-4999 lbs.(900-2250 kg) The above categories are given as a guide only. Please consult factory.

NOTICE

The information contained herein is not intended to replace the full product installation and safety information available or the experience of a trained product installer. You are required to thoroughly read all installation instructions and product safety information before beginning the installation of this product.



Approvals



Compliance with NSF/ANSI/3-A 14159-1-Hygiene Requirements for the Design of Meat and Poultry Processing Equipment



* Product is certified to the uniform plumbing code ASME A112.6.3

BLÜCHER product specifications in U.S. customary units and metric are approximate and are provided for reference only. For precise measurements, please contact BLÜCHER Technical Service. BLÜCHER reserves the right to change or modify product design, construction, specifications, or materials without prior notice and without incurring any obligation to make such changes and modifications on BLÜCHER products previously or subsequently sold.



A WATTS Brand

USA: T: (800) 338-2581 • BLUCHERpipe.com
Canada: T: (888) 208-8927 • BLUCHERpipe.ca
Latin America: T: (52) 55-4122-0138 • BLUCHERpipe.com